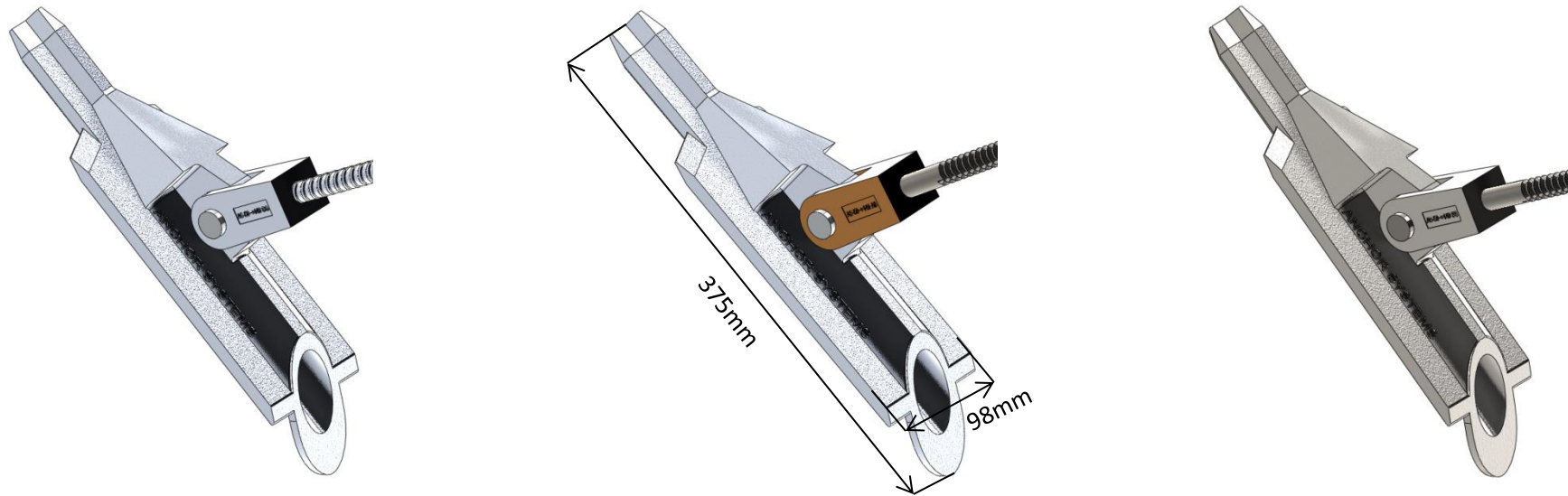


# AS-50

## → Galvanised, Galvanised Ali Bronze, 316 Stainless Steel

Anchor Systems (International) Ltd, Unit 45 Rowfant Business Centre, Rowfant, West Sussex, RH10 4NQ



Registered Office: North House 198 High Street, Tonbridge, Kent, TN9 1BE  
Company Registration No. 04023935, VAT Registered No.656490607



**Mechanical Anchoring Systems**  
**VULCAN® EARTH ANCHORS • HELICAL ANCHORS**  
**SOCK ANCHORS • ANCHOR POSTS**

