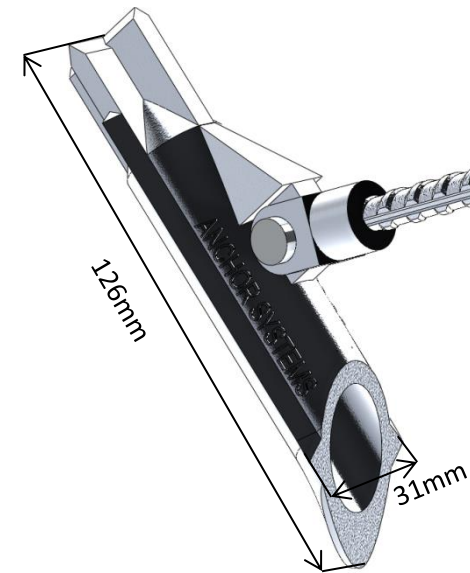
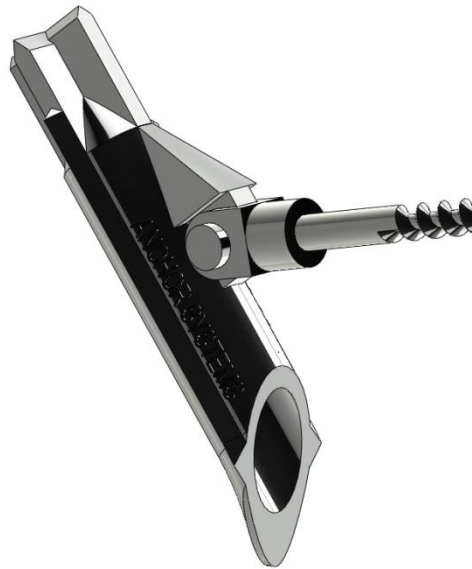


# AS-5

## → Aluminium, Galvanised

Anchor Systems (Europe) Ltd, Unit 45 Rowfant Business Centre, Rowfant, West Sussex, RH10 4NQ



Registered Office: North House 198 High Street, Tonbridge, Kent, TN9 1BE  
Company Registration No. 04023935, VAT Registered No.656490607



**Mechanical Anchoring Systems**  
**DUCKBILL® ANCHORS • HELICAL ANCHORS**  
**SOCK ANCHORS • ANCHOR POSTS**

